

4

3

2

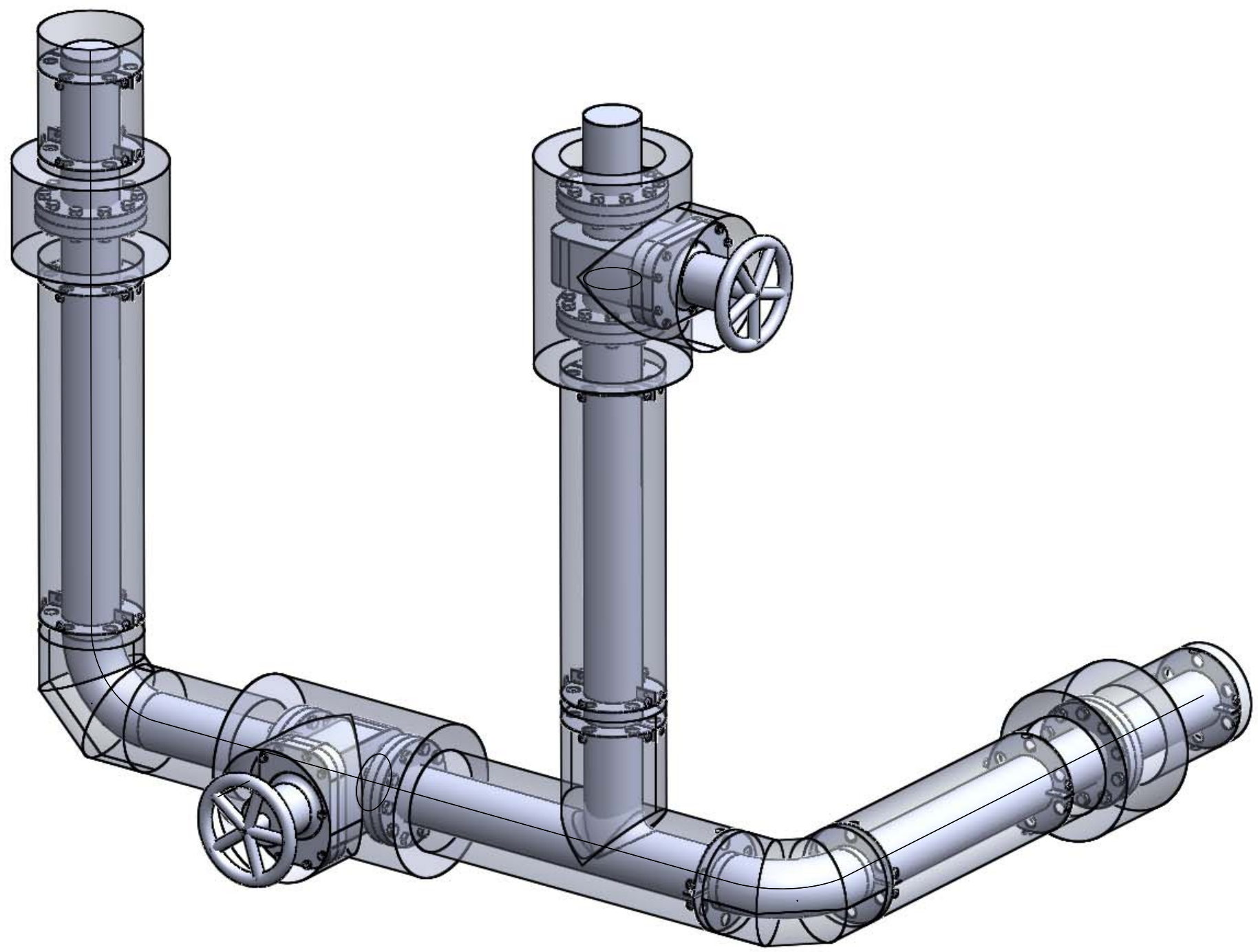
1

B

B

A

A



**PROPRIETARY AND CONFIDENTIAL**  
 THE INFORMATION CONTAINED IN THIS DRAWING IS THE SOLE PROPERTY OF <INSERT COMPANY NAME HERE>. ANY REPRODUCTION IN PART OR AS A WHOLE WITHOUT THE WRITTEN PERMISSION OF <INSERT COMPANY NAME HERE> IS PROHIBITED.

		UNLESS OTHERWISE SPECIFIED:		NAME	DATE			
		DIMENSIONS ARE IN INCHES	DRAWN			TITLE: <b>GULF COAST MANUFACTURING PERSONELL PROTECTION</b>		
		TOLERANCES:	CHECKED					
		FRACTIONAL ±	ENG APPR.					
		ANGULAR: MACH ± BEND ±	MFG APPR.					
		TWO PLACE DECIMAL ±	Q.A.			SIZE	DWG. NO.	REV
		THREE PLACE DECIMAL ±	COMMENTS:			<b>B</b>	<b>STANDOFFS-ISO</b>	
		INTERPRET GEOMETRIC TOLERANCING PER:				SCALE: 1:15	WEIGHT:	SHEET 1 OF 1
		MATERIAL						
		FINISH						
NEXT ASSY	USED ON							
	APPLICATION	DO NOT SCALE DRAWING						

4

3

2

1